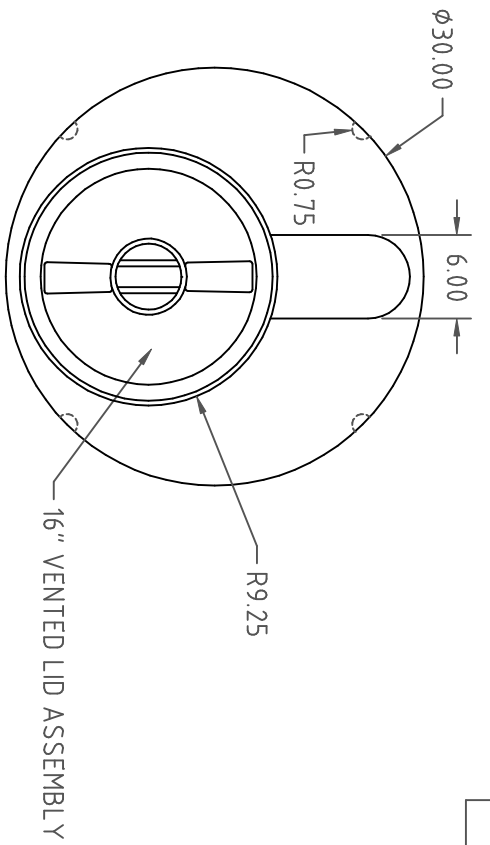


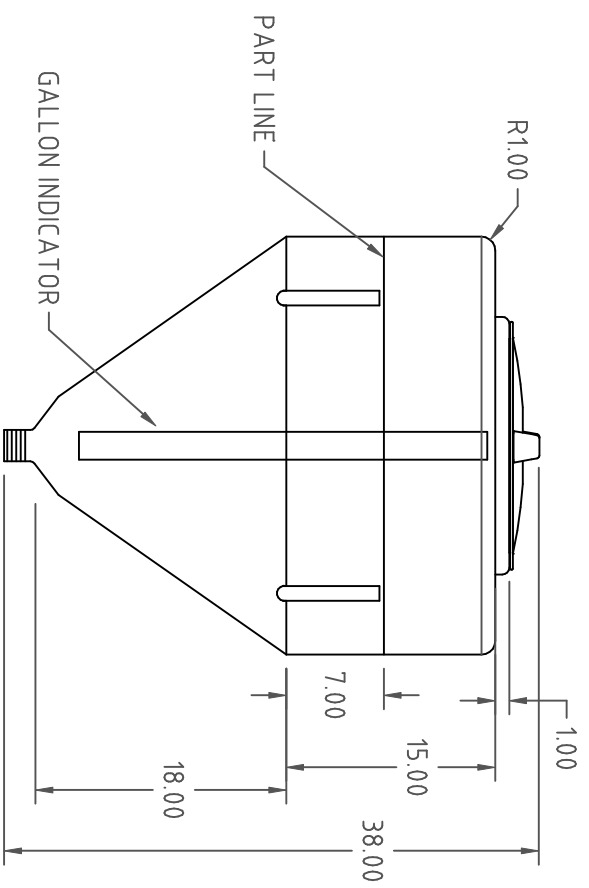
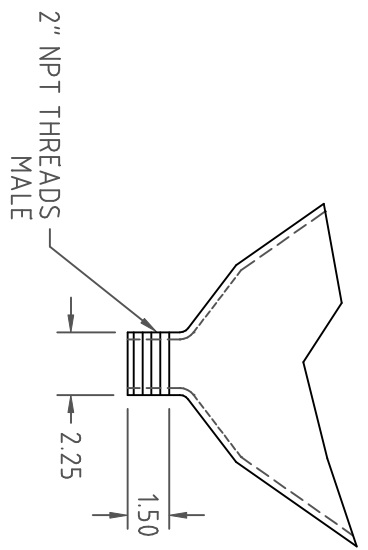
PROPRIETARY DATA

PROPERTY OF ACE ROTO-MOLD MFG., INC. INFORMATION FURNISHED HEREIN IS THE PROPERTY OF ACE ROTO-MOLD MFG., INC. AND SHALL NOT BE USED, DISCLOSED TO OTHERS, OR COPIED WITHOUT THE EXPRESSED WRITTEN CONSENT OF ACE ROTO-MOLD MFG., INC. ALL RIGHTS RESERVED.

INF60-30



OUTLET DETAIL



REV	DESCRIPTION	DATE	APPRD

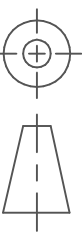
DRAWN / DATE  
DHJ 9/18/06

APPRD. / DATE

MATERIAL

32 LB. MOBIL 134

THIRD ANGLE PROJECTION  
ANSI 14.5M



NOTES:

- 1. NATURAL COLOR
- 2. NOM. WALL .190



**ACE ROTO-MOLD**

A DIVISION OF DEN HARTOG INDUSTRIES, INC.  
4018 HWY. 60 BLVD., BOX 421, HOSPERS, IOWA 51238

CLIENT / DESCRIPTION

60 GAL.  $\phi$ 30 INDUCTOR TANK

SCALE

N.S.

PART NO.

INF60-30

ALL DIMENSIONS ARE IN DECIMAL INCHES  
TOLERANCES UNLESS OTHERWISE SPECIFIED  
 $\pm$  .5% @ 68° F